

BTA221 Pallet Truck Scale

Transport & Weigh in One Easy Step

Rugged, Fast and Easy to Use



Ergonomic Full Function Handle

- Easy to lift
- Easy to move
- Easy to weigh



Articulating Turning Wheel

- Effortless steering
- Easy ride over uneven surfaces



Terminal

- Large six-digit LED display
- Low power consumption and automatic shut off
- Six function keys to meet your weighing needs



Battery

- Low power consumption and automatic shut off



BTA221 Pallet Truck Scale

Transport and Weigh in One Easy Step

The mobile battery-powered solution for transport and weighing in one easy step. The BTA221 Pallet Truck Scale is the ideal solution for fast and precise mobile weighing in industrial and warehousing applications.

The BTA221 is available in two different fork widths and features an onboard weighing system with a bright six-digit LED display.

METTLER TOLEDO

BTA Pallet Truck Scale

Display

Six-digit bright LED 30mm high

Display Resolution (d)

2 lb

Keypad

Six function tactile keyboard

Battery with Charger

6VDC, 10Ah

55-60 hours operating time

8-12 hours charging time

Indicator Protection

IP54

Units

lb, kg

Pallet Truck Construction

Mild steel

Load Cell Capacity

1 ton x 4, 2mV/V

Lifting Height

4.5'

Height to Upper Edge of Indicator

32'

Fork Height

Lowered: 3'

Raised: 7.5'

Fork Length

48'

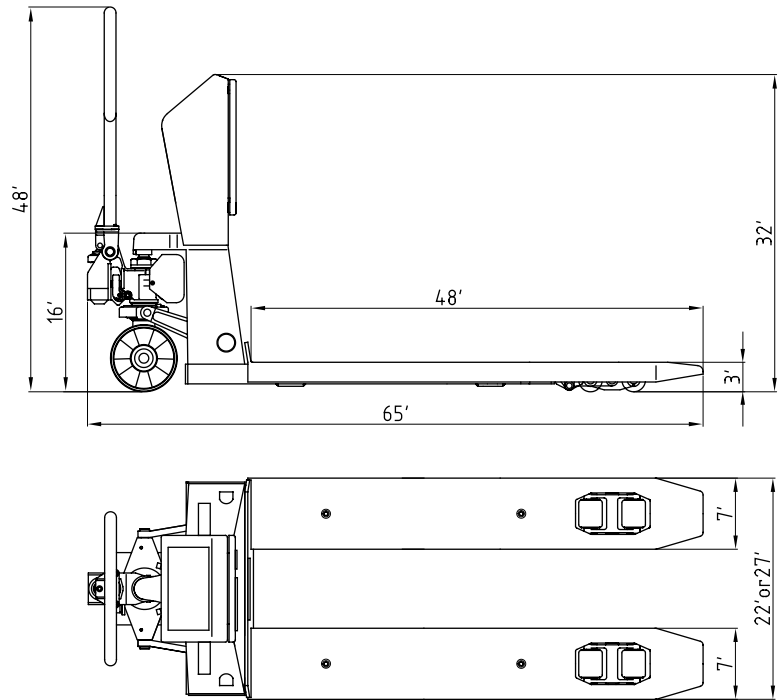
Single Fork Width

7'

Operating Temperature

14°F to 104°F(-10°C to +40°C)

<95% humidity



Pallet Truck Scale

Item #	Model	Capacity (lb)	Display Resolution (lb)	Fork Size (LxW, inches)	Shipping Information
72228418	BTA221-555U	4,000	2	48 x 22	66.9" (L) 28.7" (W) 39.4" (H) 375 lbs (WT)
72228419	BTA221-690U	4,000	2	48 x 27	66.9" (L) 28.7" (W) 39.4" (H) 375 lbs (WT)

www.mt.com

For more information



Mettler-Toledo, Inc.

Tel. (800) 786-0038

Fax (614) 438-4518

Internet: www.mt.com

Specifications subject to change without notice
 METTLER TOLEDO® is a registered trademark
 of Mettler-Toledo, Inc.
 Printed in USA.
 ISP-0109-LIT