

SBD Load cell, 10t~50t, double-ended shear beam



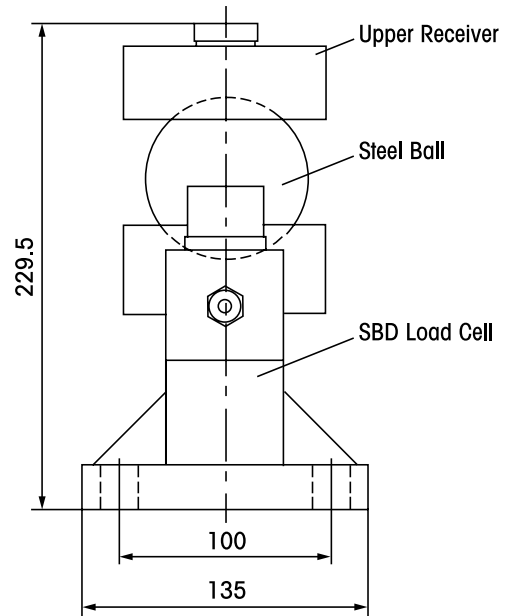
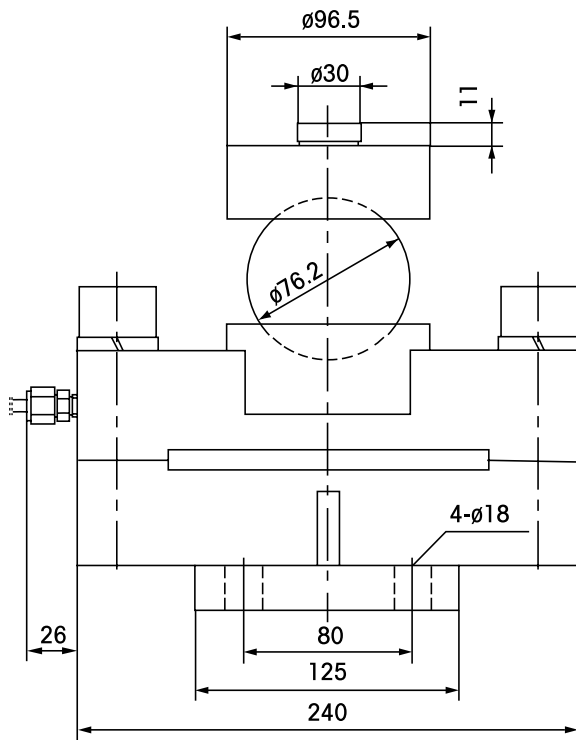
Features:

- Double-ended shear beam load cell
- High accuracy
- Easy installation
- Excellent durability
- Excellent compatibility
- Alloy steel with nickel plated
- Protection class IP67

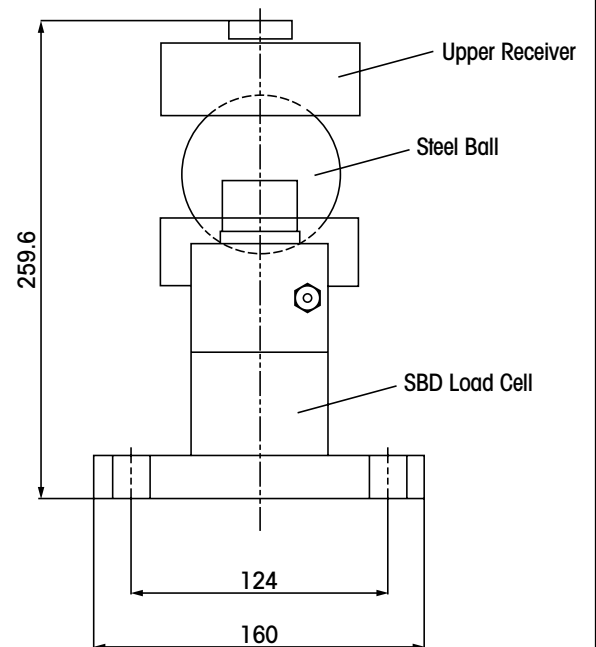
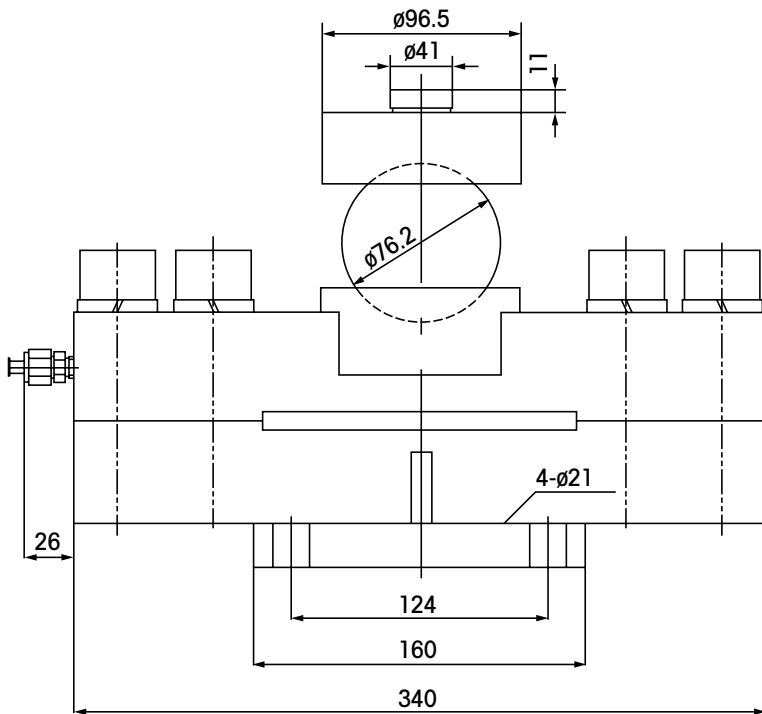
Specification

Rated capacity	t	10,20,25,30,40,50
Rated output	mV/V	2 ± 0.002
Non repeatability	%R.C.	≤ 0.01
Hysteresis	%R.C.	≤ 0.02
Non linearity	%R.C.	≤ 0.02
Creep(30min)	%R.C.	≤ 0.02
Zero balance	%R.C.	≤ 1
Temp. Compensated range	°C	-10~+40
Operating temp. Range	°C	-20~+65
Temp. coefficient on output	%Load/°C	≤ 0.002
Temp. coefficient on zero balance	%R.C./°C	≤ 0.002
Input resistance	Ω	772 ± 4
Output resistance	Ω	700 ± 1
Insulation resistance	MΩ	≥ 5000(50V DC)
Recommended voltage	V(DC/AC)	5~15
Max. excit. voltage	V(DC/AC)	20
Safe overload	%R.C.	150
Ultimated overload	%R.C.	300
Protection class		IP67
Cable length	m	13

- 1) For the cable color code of SBD load cell please refer to our data sheet SB...
- 2) Optionally available with service temperature range up to 150°C (310°F).



SBD 15,20,25,30



SBD 40,50